

Gewindeverschraubungen



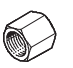


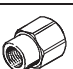

FESTO



Gewindeverschraubungen

Lieferübersicht

FESTO







| Bauform | Ausführung | Typ | Anschluss D1 | | | Anschluss D2 | | | → Seite/ Internet |
|---|---|-----------------|-----------------|-------------------------|-------------------------|-----------------|-------------------------|-------------------------|----------------------|
| | | | M-Gewinde | G-Gewinde ¹⁾ | R-Gewinde ¹⁾ | M-Gewinde | G-Gewinde ¹⁾ | R-Gewinde ¹⁾ | |
| Gerade Form | Blindstopfen | | | | | | | | |
| |  | B | M3 | – | – | – | – | – | 6 |
| | | | M5 | – | – | – | – | | |
| | | | M7 | – | – | – | – | | |
| | | | – | G $\frac{1}{8}$ | – | – | – | | |
| | | | – | G $\frac{1}{4}$ | – | – | – | | |
| | | | – | G $\frac{3}{8}$ | – | – | – | | |
| | | | – | G $\frac{1}{2}$ | – | – | – | | |
| | – | G $\frac{3}{4}$ | – | – | – | | | | |
| | – | G1 | – | – | – | – | | | |
| | Muffe | | | | | | | | |
| |  | NPFB-S | M5 | – | – | – | – | – | 12 |
| | | | – | G $\frac{1}{8}$ | – | – | – | | |
| | | | – | G $\frac{1}{4}$ | – | – | – | | |
| | | | – | G $\frac{3}{8}$ | – | – | – | | |
| – | | | G $\frac{1}{2}$ | – | – | – | | | |
|  | QM | M5 | – | – | – | – | – | 10 | |
| | | – | G $\frac{1}{8}$ | – | – | – | | | |
| | | – | G $\frac{1}{4}$ | – | – | – | | | |
| | | – | G $\frac{3}{8}$ | – | – | – | | | |
| | | – | G $\frac{1}{2}$ | – | – | – | | | |
|  | QM | M5 | – | – | M5 | – | – | 10 | |
| | | – | G $\frac{1}{8}$ | – | – | G $\frac{1}{8}$ | | | |
| | | – | G $\frac{1}{4}$ | – | – | G $\frac{1}{4}$ | | | |
| | | – | G $\frac{3}{8}$ | – | – | G $\frac{3}{8}$ | | | |
| | | – | G $\frac{1}{2}$ | – | – | G $\frac{1}{2}$ | | | |
| Reduziermuffe | | | | | | | | | |
|  | NPFB-R | – | G $\frac{1}{8}$ | – | – | G $\frac{3}{8}$ | – | 12 | |
| | | – | G $\frac{1}{2}$ | – | – | G $\frac{3}{4}$ | – | | |
|  | QMR | – | G $\frac{1}{8}$ | – | M5 | – | – | 11 | |
| | | – | G $\frac{1}{4}$ | – | – | G $\frac{1}{8}$ | | | |
| | | – | G $\frac{3}{8}$ | – | – | G $\frac{1}{4}$ | | | |
| | | – | G $\frac{1}{2}$ | – | – | G $\frac{3}{8}$ | | | |
| Verlängerung | | | | | | | | | |
|  | NPFB-E... | – | G $\frac{1}{8}$ | – | – | G $\frac{1}{8}$ | – | 13 | |
| | | – | G $\frac{1}{4}$ | – | – | G $\frac{1}{4}$ | | | |
| | | – | G $\frac{3}{8}$ | – | – | G $\frac{3}{8}$ | | | |
| | | – | G $\frac{1}{2}$ | – | – | G $\frac{1}{2}$ | | | |

1) Die Abdichtung mit Gewindedichtband, GWB-0,1 Teile-Nr. 9076, für die zylindrischen Gewinde der Gewindeverschraubungen NPFB wird empfohlen.

Gewindeverschraubungen

Lieferübersicht

FESTO


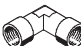


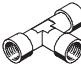
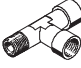
| Bauform | Ausführung | Typ | Anschluss D1 | | | Anschluss D2 | | | → Seite/ Internet | | |
|---|---|-----------------|-----------------|-------------------------|-------------------------|-----------------|-------------------------|-------------------------|--|---|---|
| | | | M-Gewinde | G-Gewinde ¹⁾ | R-Gewinde ¹⁾ | M-Gewinde | G-Gewinde ¹⁾ | R-Gewinde ¹⁾ | | | |
| Gerade Form | Doppelnippel | | | | | | | | | | |
| |  | NPFB-D | M5 | - | - | M5 | - | - | 14 | | |
| | | | M7 | | | | | | | G $\frac{1}{8}$ | |
| | | | | | | G $\frac{1}{4}$ | | | | G $\frac{1}{8}$, G $\frac{1}{4}$, G $\frac{3}{8}$ | |
| | | | | | | G $\frac{3}{8}$ | | | | G $\frac{1}{4}$, G $\frac{3}{8}$, G $\frac{1}{2}$ | |
| | | | | | | G $\frac{1}{2}$ | | | | G $\frac{3}{8}$, G $\frac{1}{2}$ | |
| | | | | | | | | | | G $\frac{1}{2}$ | |
| | | | | | | R $\frac{1}{8}$ | | | | | R $\frac{1}{8}$, R $\frac{1}{4}$, R $\frac{3}{8}$ |
| | | | | | | R $\frac{1}{4}$ | | | | | R $\frac{1}{4}$, R $\frac{3}{8}$, R $\frac{1}{2}$ |
| | | | | | | R $\frac{3}{8}$ | | | | | R $\frac{3}{8}$, R $\frac{1}{2}$ |
| | | | R $\frac{1}{2}$ | | | | | | | R $\frac{1}{2}$, R $\frac{3}{4}$ | |
| | | R $\frac{3}{4}$ | | R $\frac{3}{4}$ | | | | | | | |
| | | R1 | | R1 | | | | | | | |
|  | E | M3 | - | - | M3 | - | - | 8 | | | |
| | | M5 | | | M5 | | | | G $\frac{1}{8}$ | | |
| | | M7 | | | | | | | G $\frac{1}{8}$ | | |
| | | | | | G $\frac{1}{8}$ | | | | G $\frac{1}{8}$, G $\frac{1}{4}$, G $\frac{3}{8}$ | | |
| | | | | | G $\frac{1}{4}$ | | | | G $\frac{1}{4}$, G $\frac{3}{8}$, G $\frac{1}{2}$ | | |
| | | | | | G $\frac{3}{8}$ | | | | G $\frac{3}{8}$, G $\frac{1}{2}$ | | |
| | | | | | G $\frac{1}{2}$ | | | | G $\frac{1}{2}$, G $\frac{3}{4}$ | | |
| | | G $\frac{3}{4}$ | G $\frac{3}{4}$ | | | | | | | | |
|  | ESK | | | | | | | 9 | | | |
| | | | | | R $\frac{1}{8}$ | | | | R $\frac{1}{8}$, R $\frac{1}{4}$, R $\frac{3}{8}$ | | |
| | | | | | R $\frac{1}{4}$ | | | | R $\frac{1}{4}$, R $\frac{3}{8}$, R $\frac{1}{2}$ | | |
| | | | | | R $\frac{3}{8}$ | | | | R $\frac{3}{8}$, R $\frac{1}{2}$ | | |
| | | R $\frac{1}{2}$ | R $\frac{1}{2}$ | | | | | | | | |
| Reduziernippel – Innengewinde/Außengewinde | | | | | | | | | | | |
|  | NPFB-R | M5 | - | - | | - | - | 15 | | | |
| | | | | | G $\frac{1}{8}$ | | | | G $\frac{1}{8}$ | | |
| | | | | | G $\frac{1}{4}$ | | | | G $\frac{1}{4}$, G $\frac{3}{8}$ | | |
| | | | | | G $\frac{3}{8}$ | | | | G $\frac{3}{8}$ | | |
| | | G $\frac{1}{2}$ | G $\frac{1}{2}$ | | | | | | | | |
| Reduziernippel – Außengewinde/Innengewinde | | | | | | | | | | | |
|  | NPFB-R | | - | - | M5 | - | - | 15 | | | |
| | | | | | G $\frac{1}{8}$ | | | | | | |
| | | | | | G $\frac{1}{4}$ | | | | G $\frac{1}{8}$ | | |
| | | | | | G $\frac{3}{8}$ | | | | G $\frac{1}{8}$, G $\frac{1}{4}$ | | |
| | | | | | G $\frac{1}{2}$ | | | | G $\frac{1}{4}$, G $\frac{3}{8}$ | | |
| | | G $\frac{3}{4}$ | G $\frac{1}{2}$ | | | | | | | | |
|  | D | M3 | - | - | M5 | - | - | 7 | | | |
| | | M5 | | | M7 | | | | G $\frac{1}{8}$, G $\frac{1}{4}$ | | |
| | | M7 | | | | | | | G $\frac{1}{8}$ | | |
| | | | | | G $\frac{1}{8}$ | | | | G $\frac{1}{4}$, G $\frac{3}{8}$ | | |
| | | | | | G $\frac{1}{4}$ | | | | G $\frac{3}{8}$, G $\frac{1}{2}$, G $\frac{3}{4}$ | | |
| | | | | | G $\frac{3}{8}$ | | | | G $\frac{1}{2}$, G $\frac{3}{4}$ | | |
| | | | | | G $\frac{1}{2}$ | | | | G $\frac{3}{4}$, G1 | | |
| | | | | | G $\frac{3}{4}$ | | | | G1 | | |

1) Die Abdichtung mit Gewindedichtband, GWB-0,1 Teile-Nr. 9076, für die zylindrischen Gewinde der Gewindeverschraubungen NPFB wird empfohlen.

Gewindeverschraubungen

Lieferübersicht

FESTO

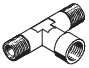
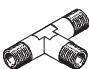
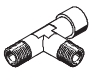
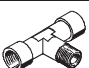
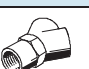



| Bauform | Ausführung | Typ | Anschluss D1 | | | Anschluss D2 | | | → Seite/ Internet |
|---|---|--------|--------------|-------------------------|-------------------------|--------------|-------------------------|-------------------------|----------------------|
| | | | M-Gewinde | G-Gewinde ¹⁾ | R-Gewinde ¹⁾ | M-Gewinde | G-Gewinde ¹⁾ | R-Gewinde ¹⁾ | |
| Gerade Form  | Innen-Schottverschraubung | | | | | | | | |
| | SCM | M5 | – | – | – | – | – | 9 | |
| | | – | G1/8 | – | – | – | – | | |
| | | – | G1/4 | – | – | – | – | | |
| | | – | G3/8 | – | – | – | – | | |
| – | G1/2 | – | – | – | – | – | | | |
| L-Form  | L-Verschraubung – Innengewinde | | | | | | | | |
| | NPFB-L | M5 | – | – | – | – | – | 16 | |
| | | – | G1/8 | – | – | – | – | | |
| | | – | G1/4 | – | – | – | – | | |
| | | – | G3/8 | – | – | – | – | | |
| | | – | G1/2 | – | – | – | – | | |
| | | – | G3/4 | – | – | – | – | | |
| | – | G1 | – | – | – | – | – | | |
| | L-Verschraubung – Außengewinde/Innengewinde | | | | | | | | |
| |  | NPFB-L | M5 | – | – | M5 | – | 16 | |
| | | | – | G1/8 | – | – | R1/8 | | |
| | | | – | G1/4 | – | – | R1/4 | | |
| | | | – | G3/8 | – | – | R3/8 | | |
| | | | – | G1/2 | – | – | R1/2 | | |
| | | | – | G3/4 | – | – | R3/4 | | |
| – | | | G1 | – | – | R1 | | | |
| L-Verschraubung – Außengewinde | | | | | | | | | |
|  | NPFB-L | M5 | – | – | – | – | 17 | | |
| | | – | – | – | R1/8 | – | | – | |
| | | – | – | – | R1/4 | – | | – | |
| | | – | – | – | R3/8 | – | | – | |
| | | – | – | – | R1/2 | – | | – | |
| | | – | – | – | R3/4 | – | | – | |
| | | – | – | – | R1 | – | | – | |
| T-Form  | T-Verschraubung – Innengewinde | | | | | | | | |
| | NPFB-T | M5 | – | – | – | – | – | 17 | |
| | | – | G1/8 | – | – | – | – | | |
| | | – | G1/4 | – | – | – | – | | |
| | | – | G3/8 | – | – | – | – | | |
| | | – | G1/2 | – | – | – | – | | |
| | | – | G3/4 | – | – | – | – | | |
| | – | G1 | – | – | – | – | – | | |
| | T-Verschraubung – Innengewinde/Außengewinde/Innengewinde | | | | | | | | |
| |  | NPFB-T | M5 | – | – | M5 | – | 18 | |
| | | | – | G1/8 | – | – | – | | R1/8 |
| | | | – | G1/4 | – | – | – | | R1/4 |
| | | | – | G3/8 | – | – | – | | R3/8 |
| – | | | G1/2 | – | – | – | R1/2 | | |
| – | | | G3/4 | – | – | – | R3/4 | | |
| – | | | G1 | – | – | – | R1 | | |

1) Die Abdichtung mit Gewindedichtband, GWB-0,1 Teile-Nr. 9076, für die zylindrischen Gewinde der Gewindeverschraubungen NPFB wird empfohlen.

Gewindeverschraubungen

Lieferübersicht

FESTO

| Bauform | Ausführung | Typ | Anschluss D1 | | | Anschluss D2 | | | → Seite/ Internet | |
|---|---|--------|--------------|-------------------------|-------------------------|--------------|-------------------------|-------------------------|----------------------|----|
| | | | M-Gewinde | G-Gewinde ¹⁾ | R-Gewinde ¹⁾ | M-Gewinde | G-Gewinde ¹⁾ | R-Gewinde ¹⁾ | | |
| T-Form | T-Verschraubung – Innengewinde/Außengewinde/Außengewinde | | | | | | | | | |
| |  | NPFB-T | – | G1/8 | – | – | – | – | R1/8 | 18 |
| | | | | G1/4 | | | | | R1/4 | |
| | | | | G3/8 | | | | | R3/8 | |
| | | | | G1/2 | | | | | R1/2 | |
| | T-Verschraubung – Außengewinde | | | | | | | | | |
| |  | NPFB-T | – | – | R1/8 | – | – | – | – | 19 |
| | | | | | R1/4 | | | | | |
| | | | | | R3/8 | | | | | |
| | | | | | R1/2 | | | | | |
| | | | | | R3/4 | | | | | |
| | T-Verschraubung – Außengewinde/Außengewinde/Innengewinde | | | | | | | | | |
|  | NPFB-T | – | – | R1/8 | – | – | G1/8 | – | 19 | |
| | | | | R1/4 | | | G1/4 | | | |
| | | | | R3/8 | | | G3/8 | | | |
| | | | | R1/2 | | | G1/2 | | | |
| T-Verschraubung – Außengewinde/Innengewinde/Innengewinde | | | | | | | | | | |
|  | NPFB-T | M5 | – | – | M5 | – | – | – | 20 | |
| | | | | R1/8 | | | G1/8 | | | |
| | | | | R1/4 | | | G1/4 | | | |
| | | | | R3/8 | | | G3/8 | | | |
| | | | | R1/2 | | | G1/2 | | | |
| | | | | R3/4 | | | G3/4 | | | |
| R1 | G1 | | | | | | | | | |
| Y-Form | Y-Verschraubung – Innengewinde | | | | | | | | | |
| |  | NPFB-Y | – | G1/8 | – | – | – | – | 20 | |
| | | | | G1/4 | | | | | | |
| | | | | G3/8 | | | | | | |
| | | | | G1/2 | | | | | | |
| | Y-Verschraubung – Außengewinde/Innengewinde/Innengewinde | | | | | | | | | |
|  | NPFB-Y | – | – | R1/8 | – | – | G1/8 | – | 21 | |
| | | | | R1/4 | | | G1/4 | | | |
| | | | | R3/8 | | | G3/8 | | | |
| | | | | R1/2 | | | G1/2 | | | |
| X-Form | X-Verschraubung – Innengewinde | | | | | | | | | |
| |  | NPFB-X | – | G1/8 | – | – | – | – | 21 | |
| | | | | G1/4 | | | | | | |
| | | | | G3/8 | | | | | | |
| | | | | G1/2 | | | | | | |
| | X-Verschraubung – Außengewinde/Innengewinde/Innengewinde/Innengewinde | | | | | | | | | |
| |  | NPFB-X | – | – | G1/8 | – | – | – | R1/8 | 22 |
| | | | | | G1/4 | | | | R1/4 | |
| G3/8 | | | | | R3/8 | | | | | |
| G1/2 | | | | | R1/2 | | | | | |

1) Die Abdichtung mit Gewindedichtband, GWB-0,1 Teile-Nr. 9076, für die zylindrischen Gewinde der Gewindeverschraubungen NPFB wird empfohlen.

Gewindeverschraubungen

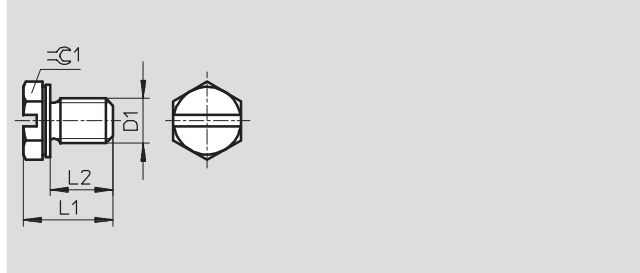
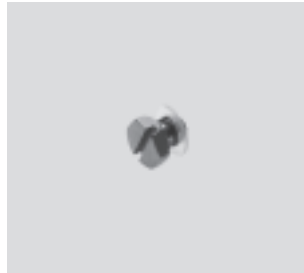
Datenblatt

FESTO

Blindstopfen B-M3-S9 mit Dichtring

Werkstoff:
hochlegierter Stahl, rostfrei

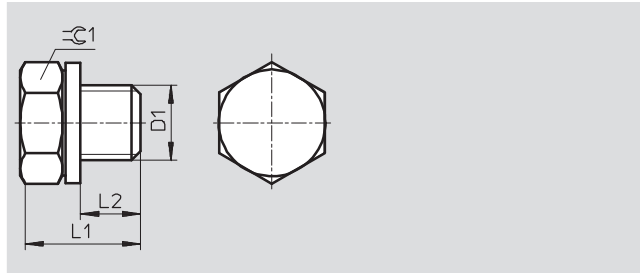
Werkstoff-Hinweis:
Kupfer- und PTFE-frei



Blindstopfen B-M5 mit Dichtring

Werkstoff:
Aluminium

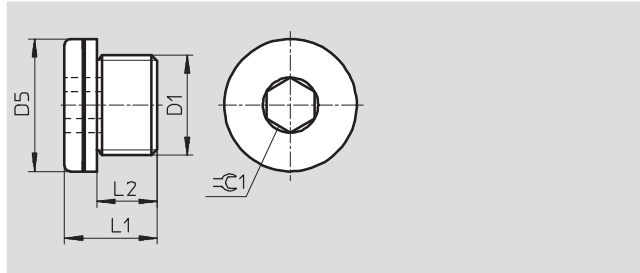
Werkstoff-Hinweis:
Kupfer- und PTFE-frei



Blindstopfen B mit Dichtring

Werkstoff:
Stahl

Werkstoff-Hinweis:
Kupfer- und PTFE-frei



| Abmessungen und Bestellangaben | | | | | | | | |
|--------------------------------|-----|-----|-------|-----|--------------------------|-----------|---|------------------|
| Anschluss | D5 | L1 | L2 | ≈C1 | Gewicht/ Stück [g] | Teile-Nr. | Typ | PE ¹⁾ |
| D1 | ∅ | | | | | | | |
| M-Gewinde | | | | | | | | |
| M3 | – | 5,3 | 2,8 | 4,5 | 1 | 30979 | B-M3-S9 ²⁾ | 10 |
| M5 | – | 7,8 | 3,8 | 7 | 1 | 3843 | B-M5 | 10 |
| | | 8 | 6,3 | 3,8 | 2,5 | 2 | 534212 | B-M5-100 |
| M7 | 9,5 | 7,8 | 5,3 | 3 | 2 | 174308 | B-M5-B | 10 |
| | | | | | | | 174309 | B-M7 |
| G-Gewinde | | | | | | | | |
| G ¹ / ₈ | 14 | 11 | 6,4 | 5 | 5 | 3568 | B- ¹ / ₈ ³⁾ | 10 |
| | | | | | | 534213 | B- ¹ / ₈ -100 ³⁾ | 100 |
| G ¹ / ₄ | 18 | 15 | 9,8 | 6 | 15 | 3569 | B- ¹ / ₄ ³⁾ | 10 |
| | | | | | | 534214 | B- ¹ / ₄ -50 ³⁾ | 50 |
| G ³ / ₈ | 22 | 15 | 9,8 | 8 | 22 | 3570 | B- ³ / ₈ ³⁾ | 10 |
| | | | | | | 534215 | B- ³ / ₈ -20 ³⁾ | 20 |
| G ¹ / ₂ | 26 | 18 | 11,65 | 10 | 43 | 3571 | B- ¹ / ₂ ³⁾ | 10 |
| | | | | | | 534216 | B- ¹ / ₂ -20 ³⁾ | 20 |
| G ³ / ₄ | 32 | 20 | 13,05 | 12 | 73 | 3572 | B- ³ / ₄ ³⁾ | 1 |
| G1 | 39 | 21 | 14 | 17 | 153 | 5763 | B-1 | 1 |

1) Packungseinheit in Stück
2) Korrosions- und säurebeständige Ausführung
3) RoHS konform

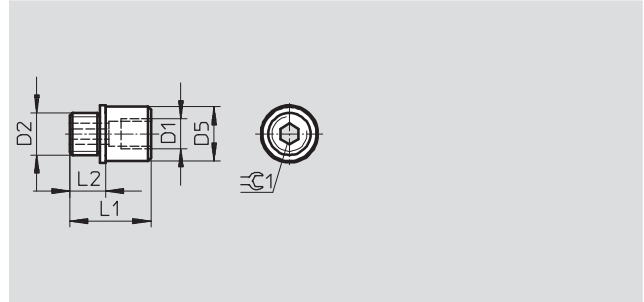
Gewindeverschraubungen

Datenblatt

FESTO

Reduziernippel D mit Dichtring

Werkstoff:
Messing

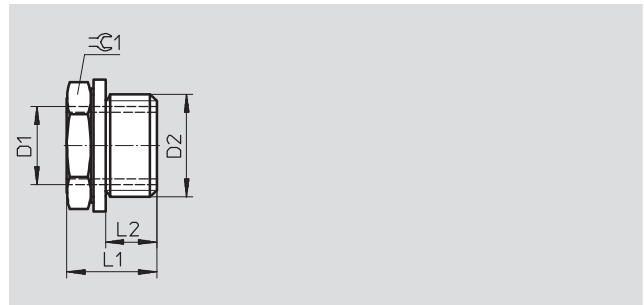


| Anschluss | | D5 | L1 | L2 | $\approx C1$ | Gewicht/ Stück [g] | Teile-Nr. | Typ | PE ¹⁾ |
|-----------|----|----|------|----|--------------|--------------------------|-----------|---------------|------------------|
| D1 | D2 | | | | | | | | |
| M5 | M7 | 9 | 13,5 | 6 | 3 | 43 | 161359 | D-M5I-M7A-ISK | 10 |

1) Packungseinheit in Stück

Reduziernippel D mit Dichtring

Werkstoff:
Messing
D-M3I-M5A-S9:
hochlegierter Stahl, rostfrei



| Anschluss | | L1 | L2 | $\approx C1$ | Gewicht/ Stück [g] | Teile-Nr. | Typ | PE ¹⁾ | |
|------------------|-----------------|------|------|--------------|--------------------------|-----------|---|----------------------------|-----|
| D1 | D2 | | | | | | | | |
| M-Gewinde | | | | | | | | | |
| M3 | M5 | 6,3 | 3,8 | 7 | 1 | 30980 | D-M3I-M5A-S9 ²⁾ | 10 | |
| M5 | G $\frac{1}{8}$ | 9,5 | 4,9 | 13 | 10 | 3842 | D-M5I- $\frac{1}{8}$ A ³⁾ | 10 | |
| 6 mm tief | | | | | | | 534208 | D-M5I- $\frac{1}{8}$ A-100 | 100 |
| M5 | G $\frac{1}{4}$ | 12 | 5,8 | 17 | 12 | 197632 | D-M5I- $\frac{1}{4}$ A | 10 | |
| M7 | G $\frac{1}{8}$ | 9,5 | 4,9 | 13 | - | 534144 | D-M7I- $\frac{1}{8}$ A | 10 | |
| G-Gewinde | | | | | | | | | |
| G $\frac{1}{8}$ | G $\frac{1}{4}$ | 12 | 5,8 | 17 | 8 | 3577 | D- $\frac{1}{8}$ I- $\frac{1}{4}$ A | 10 | |
| | | | | | | 534209 | D- $\frac{1}{8}$ I- $\frac{1}{4}$ A-100 | 100 | |
| G $\frac{1}{4}$ | G $\frac{3}{8}$ | 14 | 6,8 | 19 | - | 534147 | D- $\frac{1}{8}$ I- $\frac{3}{8}$ A | 10 | |
| | | | | | | 3581 | D- $\frac{1}{4}$ I- $\frac{3}{8}$ A | 10 | |
| G $\frac{1}{4}$ | G $\frac{3}{8}$ | 14 | 6,8 | 19 | 14 | 534210 | D- $\frac{1}{4}$ I- $\frac{3}{8}$ A-50 | 50 | |
| | | | | | | 197633 | D- $\frac{1}{4}$ I- $\frac{1}{2}$ A | 10 | |
| G $\frac{3}{8}$ | G $\frac{3}{4}$ | 20,4 | 9,05 | 32 | - | 534145 | D- $\frac{1}{4}$ I- $\frac{3}{4}$ A | 10 | |
| | | | | | | 3585 | D- $\frac{3}{8}$ I- $\frac{1}{2}$ A | 10 | |
| G $\frac{3}{8}$ | G $\frac{1}{2}$ | 15,5 | 8,15 | 24 | 25 | 534211 | D- $\frac{3}{8}$ I- $\frac{1}{2}$ A-20 | 20 | |
| | | | | | | 534146 | D- $\frac{3}{8}$ I- $\frac{3}{4}$ A | 10 | |
| G $\frac{1}{2}$ | G $\frac{3}{4}$ | 20,4 | 14 | 32 | 45 | 3588 | D- $\frac{1}{2}$ I- $\frac{3}{4}$ A | 1 | |
| | | | | | | 197634 | D- $\frac{1}{2}$ I-1A | 1 | |
| G $\frac{3}{4}$ | G1 | 21 | 13 | 36 | 55 | 9168 | D- $\frac{3}{4}$ I-1A | 1 | |

1) Packungseinheit in Stück

2) Korrosions- und säurebeständige Ausführung

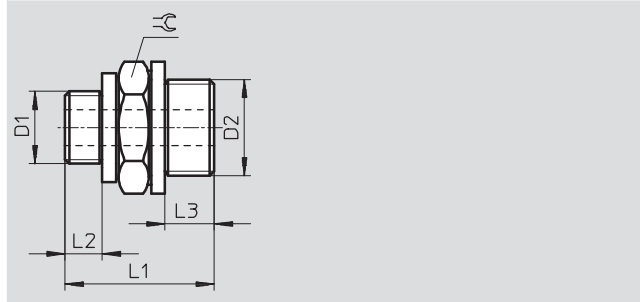
3) Kupfer- und PTFE-frei

Gewindeverschraubungen

Datenblatt

FESTO

Doppelnippel E
mit 2 Dichtringen



| Abmessungen und Bestellangaben | | | | | | | | | | |
|--|-----------------|-----------|------|------|------|-----|--------------------------|---------------|---|------------------|
| Anschluss | | Nennweite | L1 | L2 | L3 | ⌀ | Gewicht/ Stück [g] | Teile-Nr. | Typ | PE ¹⁾ |
| D1 | D2 | | | | | | | | | |
| M-Gewinde – hochlegierter Stahl | | | | | | | | | | |
| M3 | M3 | 1,7 | 10 | 2,8 | 2,8 | 4,5 | 1 | 30987 | E-M3-M3-S9²⁾ 3) | 10 |
| M-Gewinde – Stahl | | | | | | | | | | |
| M5 | M5 | 2,5 | 12,6 | 3,8 | 3,8 | 7 | 2 | 4139 | E-M5-M5³⁾ | 10 |
| | G $\frac{1}{8}$ | 2,5 | 15,3 | 3,8 | 4,9 | 13 | 1 | 4138 | E-M5-$\frac{1}{8}$³⁾ | 10 |
| | | | | | | | | 534204 | E-M5-$\frac{1}{8}$-100³⁾ | 100 |
| G-Gewinde – Aluminium | | | | | | | | | | |
| G $\frac{1}{8}$ | G $\frac{1}{8}$ | 4,5 | 17 | 4,9 | 4,9 | 13 | 1 | 3573 | E-$\frac{1}{8}$-$\frac{1}{8}$³⁾ | 10 |
| | G $\frac{1}{4}$ | 4,5 | 19,5 | 4,9 | 5,8 | 17 | 1 | 3574 | E-$\frac{1}{8}$-$\frac{1}{4}$³⁾ | 10 |
| | | | | | | | | 534205 | E-$\frac{1}{8}$-$\frac{1}{4}$-100³⁾ | 100 |
| G $\frac{1}{4}$ | G $\frac{1}{4}$ | 6,5 | 21 | 5,8 | 5,8 | 17 | 1 | 3575 | E-$\frac{1}{4}$-$\frac{1}{4}$³⁾ | 10 |
| | G $\frac{3}{8}$ | 6,5 | 22 | 5,8 | 6,8 | 19 | 10 | 3576 | E-$\frac{1}{4}$-$\frac{3}{8}$³⁾ | 10 |
| | | | | | | | | 534206 | E-$\frac{1}{4}$-$\frac{3}{8}$-50³⁾ | 50 |
| G $\frac{3}{8}$ | G $\frac{3}{8}$ | 9,0 | 23 | 6,8 | 6,8 | 19 | 10 | 3578 | E-$\frac{3}{8}$-$\frac{3}{8}$³⁾ | 10 |
| | G $\frac{1}{2}$ | 9,0 | 26,5 | 6,8 | 8,15 | 24 | 20 | 3579 | E-$\frac{3}{8}$-$\frac{1}{2}$³⁾ | 1 |
| | | | | | | | | 534207 | E-$\frac{3}{8}$-$\frac{1}{2}$-20³⁾ | 20 |
| G $\frac{1}{2}$ | G $\frac{1}{2}$ | 13,0 | 28 | 8,15 | 8,15 | 24 | 20 | 3580 | E-$\frac{1}{2}$-$\frac{1}{2}$³⁾ | 1 |
| | G $\frac{3}{4}$ | 13,0 | 30,5 | 8,5 | 9,05 | 32 | 35 | 3582 | E-$\frac{1}{2}$-$\frac{3}{4}$³⁾ | 1 |
| G $\frac{3}{4}$ | G $\frac{3}{4}$ | 18,0 | 32 | 9,5 | 9,05 | 32 | 30 | 3584 | E-$\frac{3}{4}$-$\frac{3}{4}$³⁾ | 1 |
| M-Gewinde – Messing | | | | | | | | | | |
| M7 | G $\frac{1}{8}$ | 4,5 | 17,7 | 5,3 | 4,9 | 13 | | 534148 | E-M7-$\frac{1}{8}$-MS | 10 |
| G-Gewinde – Messing | | | | | | | | | | |
| G $\frac{1}{8}$ | G $\frac{1}{8}$ | 4,5 | 17 | 4,9 | 4,9 | 13 | 10 | 15621 | E-$\frac{1}{8}$-$\frac{1}{8}$-MS | 10 |
| | G $\frac{1}{4}$ | 4,5 | 19,5 | 4,9 | 5,8 | 17 | 20 | 15622 | E-$\frac{1}{8}$-$\frac{1}{4}$-MS | 10 |
| | G $\frac{3}{8}$ | 5,3 | 20,4 | 4,9 | 6,8 | 19 | 25 | 534150 | E-$\frac{1}{8}$-$\frac{3}{8}$-MS | 10 |
| G $\frac{1}{4}$ | G $\frac{1}{4}$ | 6,5 | 21 | 5,8 | 5,8 | 17 | 20 | 15623 | E-$\frac{1}{4}$-$\frac{1}{4}$-MS | 10 |
| | G $\frac{3}{8}$ | 6,5 | 22 | 5,8 | 6,8 | 19 | 30 | 15624 | E-$\frac{1}{4}$-$\frac{3}{8}$-MS | 10 |
| | G $\frac{1}{2}$ | 8 | 25,5 | 5,8 | 8,15 | 24 | 30 | 534149 | E-$\frac{1}{4}$-$\frac{1}{2}$-MS | 10 |
| G $\frac{3}{8}$ | G $\frac{3}{8}$ | 9 | 23 | 6,8 | 6,8 | 19 | 30 | 15625 | E-$\frac{3}{8}$-$\frac{3}{8}$-MS | 10 |
| | G $\frac{1}{2}$ | 9 | 26,5 | 6,8 | 8,15 | 24 | 53 | 15626 | E-$\frac{3}{8}$-$\frac{1}{2}$-MS | 1 |
| G $\frac{1}{2}$ | G $\frac{1}{2}$ | 13 | 28 | 8,15 | 8,15 | 24 | 52 | 15627 | E-$\frac{1}{2}$-$\frac{1}{2}$-MS | 1 |
| | G $\frac{3}{4}$ | 13 | 30,5 | 8,15 | 9,05 | 32 | 100 | 15628 | E-$\frac{1}{2}$-$\frac{3}{4}$-MS | 1 |
| G $\frac{3}{4}$ | G $\frac{3}{4}$ | 18 | 32 | 9,05 | 9,05 | 32 | 100 | 15629 | E-$\frac{3}{4}$-$\frac{3}{4}$-MS | 1 |

- 1) Packungseinheit in Stück
- 2) Korrosions- und säurebeständige Ausführung
- 3) Kupfer- und PTFE-frei

Gewindeverschraubungen

Datenblatt

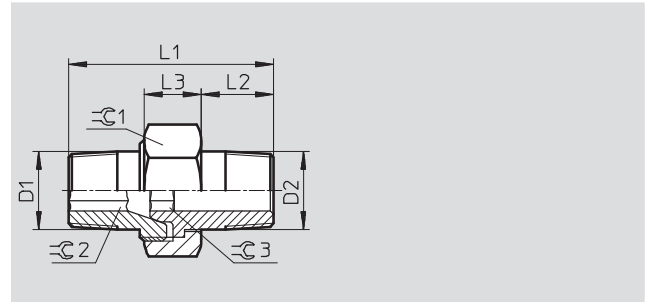
FESTO

Doppelnippel ESK

verstellbar für Winkelausgleich

Werkstoff:

Messing



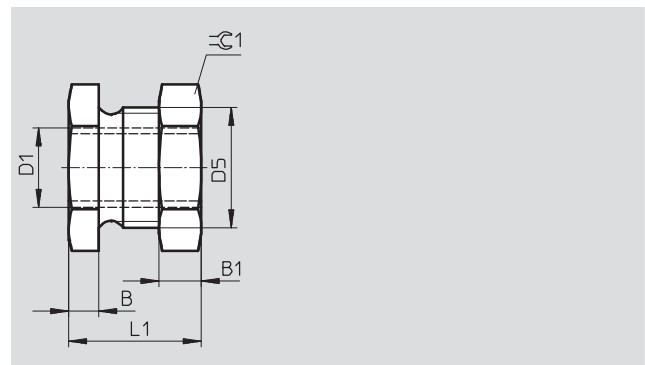
| Anschluss | | L1 | L2 | L3 | ⊖C1 | ⊖C2 | ⊖C3 | Teile-Nr. | Typ | PE ¹⁾ |
|-------------------------------|-------------------------------|------|----|-----|-----|-----|-----|-----------|--|------------------|
| D1 | D2 | | | | | | | | | |
| R ¹ / ₈ | R ¹ / ₈ | 27 | 9 | 8,5 | 15 | 5 | 5 | 151520 | ESK- ¹ / ₈ - ¹ / ₈ | 1 |
| | R ¹ / ₄ | 30,6 | 12 | 9,5 | 19 | 5 | 6 | 534151 | ESK- ¹ / ₈ - ¹ / ₄ | 1 |
| | R ³ / ₈ | 34,5 | 13 | 10 | 22 | 5 | 8 | 534155 | ESK- ¹ / ₈ - ³ / ₈ | 1 |
| R ¹ / ₄ | R ¹ / ₄ | 34 | 12 | 9,5 | 19 | 6 | 6 | 151521 | ESK- ¹ / ₄ - ¹ / ₄ | 1 |
| | R ³ / ₈ | 36 | 13 | 10 | 22 | 6 | 8 | 534152 | ESK- ¹ / ₄ - ³ / ₈ | 1 |
| | R ¹ / ₂ | 40,5 | 16 | 12 | 27 | 6 | 12 | 534153 | ESK- ¹ / ₄ - ¹ / ₂ | 1 |
| R ³ / ₈ | R ³ / ₈ | 36 | 13 | 10 | 22 | 8 | 8 | 151522 | ESK- ³ / ₈ - ³ / ₈ | 1 |
| | R ¹ / ₂ | 44 | 16 | 12 | 27 | 8 | 12 | 534154 | ESK- ³ / ₈ - ¹ / ₂ | 1 |
| R ¹ / ₂ | R ¹ / ₂ | 44 | 16 | 12 | 27 | 12 | 12 | 151523 | ESK- ¹ / ₂ - ¹ / ₂ | 1 |

1) Packungseinheit in Stück

Innen-Schottverschraubung SCM

Werkstoff:

Aluminium, blau eloxiert



| Anschluss | | D5 | B | B1 | L1 | ⊖C1 | Gewicht/ Stück [g] | Teile-Nr. | Typ | PE ¹⁾ |
|-------------------------------|---------|----|------|------|----|-----|--------------------------|----------------------------------|-----|------------------|
| D1 | | | | | | | | | | |
| M5 | M10x1 | 4 | 3,5 | 15,5 | 13 | 5 | 9969 | SCM-M5 | 1 | |
| G ¹ / ₈ | M14x1,5 | 5 | 5 | 20 | 17 | 10 | 9970 | SCM- ¹ / ₈ | 1 | |
| G ¹ / ₄ | M20x1,5 | 5 | 7 | 22 | 24 | 28 | 9971 | SCM- ¹ / ₄ | 1 | |
| G ³ / ₈ | M24x1,5 | 8 | 8,5 | 26,5 | 27 | 34 | 9972 | SCM- ³ / ₈ | 1 | |
| G ¹ / ₂ | M30x1,5 | 8 | 10,5 | 28,5 | 36 | 78 | 9973 | SCM- ¹ / ₂ | 1 | |

1) Packungseinheit in Stück

Gewindeverschraubungen

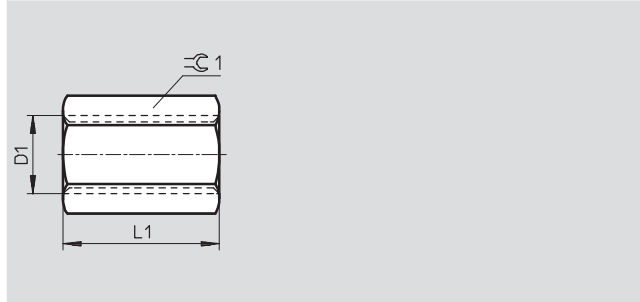
Datenblatt

FESTO

Muffe QM

Werkstoff:
Aluminium, blau eloxiert
QM-M5-M5:
Stahl

Werkstoff-Hinweis:
Kupfer- und PTFE-frei
RoHS konform



| Abmessungen und Bestellangaben | | | | | | |
|--------------------------------|----|----------------------|--------------------------|-----------|------------|------------------|
| Anschluss | L1 | $\approx \text{C} 1$ | Gewicht/ Stück [g] | Teile-Nr. | Typ | PE ¹⁾ |
| D1 | | | | | | |
| M5 | 12 | 7 | 1 | 3560 | QM-M5-M5 | 10 |
| G1/8 | 22 | 13 | 6 | 2254 | QM-1/8-1/8 | 10 |
| G1/4 | 26 | 17 | 9 | 2255 | QM-1/4-1/4 | 10 |
| G3/8 | 32 | 22 | 19 | 2256 | QM-3/8-3/8 | 10 |
| G1/2 | 36 | 27 | 31 | 2257 | QM-1/2-1/2 | 1 |
| G3/4 | 36 | 32 | 36 | 4226 | QM-3/4-3/4 | 1 |
| G1 | 40 | 41 | 80 | 9968 | QM-1-1 | 1 |

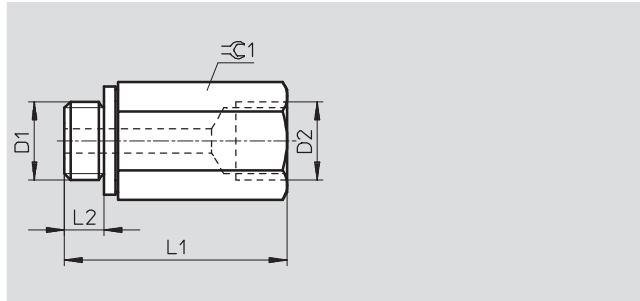
1) Packungseinheit in Stück

Muffe QM

mit Dichtring

Werkstoff:
Aluminium, blau eloxiert
QM-M5-A/I:
Stahl

Werkstoff-Hinweis:
Kupfer- und PTFE-frei



| Abmessungen und Bestellangaben | | | | | | | |
|--------------------------------|------|------|------|----------------------|--------------------------|-------------------|------------------|
| Anschluss | | L1 | L2 | $\approx \text{C} 1$ | Gewicht/ Stück [g] | Teile-Nr. Typ | PE ¹⁾ |
| D1 | D2 | | | | | | |
| M5 | M5 | 18,5 | 3,8 | 7 | 4 | 36169 QM-M5-A/I | 10 |
| G1/8 | G1/8 | 25,6 | 4,9 | 13 | 7 | 36170 QM-1/8-A/I | 10 |
| G1/4 | G1/4 | 36 | 5,8 | 17 | 15 | 36171 QM-1/4-A/I | 10 |
| G3/8 | G3/8 | 37,8 | 6,8 | 19 | 16 | 36172 QM-3/8-A/I | 10 |
| G1/2 | G1/2 | 49 | 8,15 | 24 | 36 | 187387 QM-1/2-A/I | 1 |

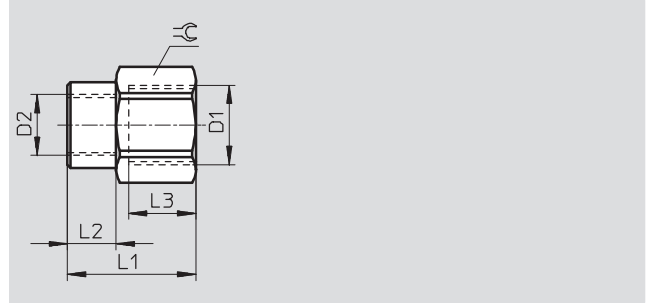
1) Packungseinheit in Stück

Gewindeverschraubungen

Datenblatt

Reduziermuffe QMR

Werkstoff:
Messing, vernickelt



| Abmessungen und Bestellangaben | | | | | | | | | |
|--------------------------------|-------------------------------|----|----|----|----|--------------------------|-----------|---|------------------|
| Anschluss | | L1 | L2 | L3 | ☉ | Gewicht/ Stück [g] | Teile-Nr. | Typ | PE ¹⁾ |
| D1 | D2 | | | | | | | | |
| M-Gewinde | | | | | | | | | |
| G ¹ / ₈ | M5 | 17 | 7 | 7 | 14 | 12 | 153281 | QMR- ¹ / ₈ -M5-B | 10 |
| G-Gewinde | | | | | | | | | |
| G ¹ / ₄ | G ¹ / ₈ | 21 | 8 | 9 | 17 | 22 | 153282 | QMR- ¹ / ₄ - ¹ / ₈ -B | 10 |
| G ³ / ₈ | G ¹ / ₄ | 25 | 11 | 11 | 21 | 34 | 153283 | QMR- ³ / ₈ - ¹ / ₄ -B | 10 |
| G ¹ / ₂ | G ³ / ₈ | 33 | 14 | 14 | 24 | 55 | 153284 | QMR- ¹ / ₂ - ³ / ₈ -B | 1 |

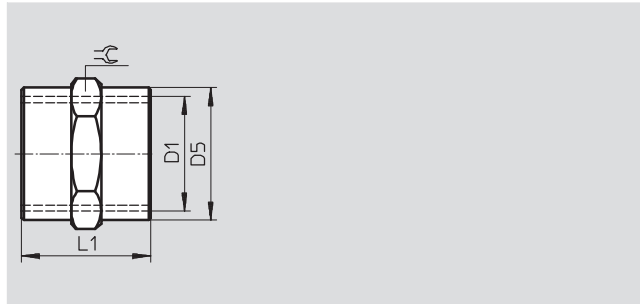
1) Packungseinheit in Stück

Gewindeverschraubungen NPFB

Datenblatt

Muffe NPFB-S

Betriebsdruck:
-0,95 ... +40 bar
Umgebungstemperatur:
-20 ... +150 °C
Betriebsmedium:
Druckluft und Vakuum geeignet



Werkstoff:
Messing vernickelt

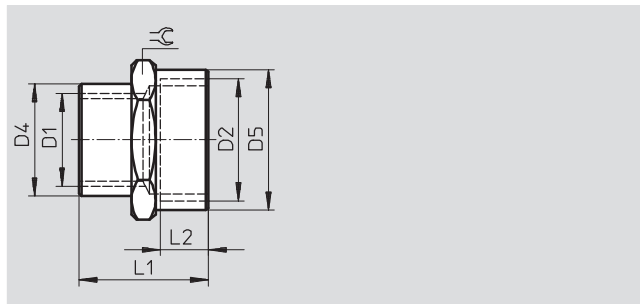
Werkstoff-Hinweis:
RoHS konform

| Abmessungen und Bestellangaben | | | | | | | |
|--------------------------------|------|----|----|--------------------------|-----------|---------------|------------------|
| Anschluss | D5 | L1 | ⌀ | Gewicht/ Stück [g] | Teile-Nr. | Typ | PE ¹⁾ |
| D1 | Ø | | | | | | |
| M-Gewinde | | | | | | | |
| M5 | 7,5 | 11 | 8 | 3 | 547809 | NPFB-S-2M5-F | 10 |
| G-Gewinde | | | | | | | |
| G ¹ / ₈ | 13,8 | 15 | 14 | 11 | 547810 | NPFB-S-2G18-F | 10 |
| G ¹ / ₄ | 16,8 | 22 | 17 | 20 | 547811 | NPFB-S-2G14-F | 10 |
| G ³ / ₈ | 21,8 | 24 | 22 | 38 | 547812 | NPFB-S-2G38-F | 10 |
| G ¹ / ₂ | 25,5 | 30 | 26 | 55 | 547813 | NPFB-S-2G12-F | 10 |
| G ³ / ₄ | 31,5 | 32 | 32 | 91 | 547814 | NPFB-S-2G34-F | 10 |

1) Packungseinheit in Stück

Reduziermuffe NPFB-R

Betriebsdruck:
-0,95 ... +40 bar
Umgebungstemperatur:
-20 ... +150 °C
Betriebsmedium:
Druckluft und Vakuum geeignet



Werkstoff:
Messing vernickelt

Werkstoff-Hinweis:
RoHS konform

| Abmessungen und Bestellangaben | | | | | | | | | | |
|--------------------------------|-------------------------------|------|------|----|----|--------------------------|-----------|--------|------------------|----|
| Anschluss | D4 | D5 | L1 | L2 | ⌀ | Gewicht/ Stück [g] | Teile-Nr. | Typ | PE ¹⁾ | |
| D1 | D2 | Ø | Ø | | | | | | | |
| G ¹ / ₈ | G ³ / ₈ | 13,8 | 21,8 | 20 | 10 | 22 | 30 | 547815 | NPFB-R-G38-G18-F | 10 |
| G ¹ / ₂ | G ³ / ₄ | 25,5 | 31,5 | 30 | 13 | 32 | 83 | 547816 | NPFB-R-G34-G12-F | 10 |

1) Packungseinheit in Stück

Gewindeverschraubungen NPFB

Datenblatt

Verlängerung NPFB-E...

Betriebsdruck:

-0,95 ... +40 bar

Umgebungstemperatur:

-20 ... +150 °C

Betriebsmedium:

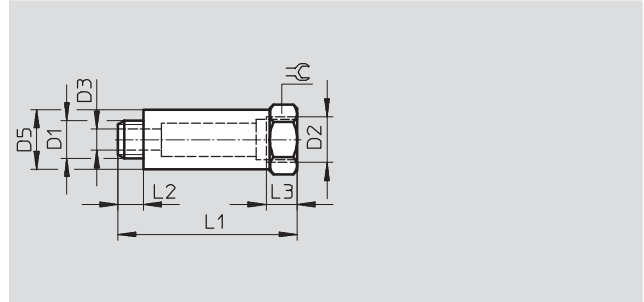
Druckluft und Vakuum geeignet

Werkstoff:

Messing vernickelt

Werkstoff-Hinweis:

RoHS konform



| Abmessungen und Bestellangaben | | | | | | | | | | | |
|--------------------------------|-------------------------------|----|------|----|----|-----|----|--------------------------|---------------|------------------------|------------------|
| Anschluss | | D3 | D5 | L1 | L2 | L3 | ⊥ | Gewicht/ Stück [g] | Teile-Nr. | Typ | PE ¹⁾ |
| D1 | D2 | ∅ | ∅ | | | | | | | | |
| E1 | | | | | | | | | | | |
| G ¹ / ₈ | G ¹ / ₈ | 5 | 13,5 | 22 | 6 | 6,5 | 14 | 17 | 547822 | NPFB-E1-2G18-FM | 10 |
| G ¹ / ₄ | G ¹ / ₄ | 7 | 16,5 | 28 | 8 | 10 | 17 | 28 | 547823 | NPFB-E1-2G14-FM | 10 |
| G ³ / ₈ | G ³ / ₈ | 11 | 21,8 | 32 | 9 | 10 | 22 | 40 | 547824 | NPFB-E1-2G38-FM | 10 |
| G ¹ / ₂ | G ¹ / ₂ | 14 | 25,5 | 35 | 10 | 11 | 26 | 55 | 547825 | NPFB-E1-2G12-FM | 10 |
| E2 | | | | | | | | | | | |
| G ¹ / ₈ | G ¹ / ₈ | 5 | 13,5 | 32 | 6 | 6,5 | 14 | 25 | 547826 | NPFB-E2-2G18-FM | 10 |
| G ¹ / ₄ | G ¹ / ₄ | 7 | 16,5 | 35 | 8 | 10 | 17 | 35 | 547827 | NPFB-E2-2G14-FM | 10 |
| E3 | | | | | | | | | | | |
| G ¹ / ₈ | G ¹ / ₈ | 5 | 13,5 | 42 | 6 | 6,5 | 14 | 32 | 547828 | NPFB-E3-2G18-FM | 10 |
| G ¹ / ₄ | G ¹ / ₄ | 7 | 16,5 | 51 | 8 | 10 | 17 | 51 | 547829 | NPFB-E3-2G14-FM | 10 |
| E4 | | | | | | | | | | | |
| G ¹ / ₈ | G ¹ / ₈ | 5 | 13,5 | 51 | 6 | 6,5 | 14 | 40 | 547830 | NPFB-E4-2G18-FM | 10 |

1) Packungseinheit in Stück

Gewindeverschraubungen NPFB

Datenblatt

FESTO

Doppelnippel NPFB-D

Betriebsdruck:

-0,95 ... +40 bar

Umgebungstemperatur:

-20 ... +150 °C

Betriebsmedium:

Druckluft und Vakuum geeignet

Werkstoff:

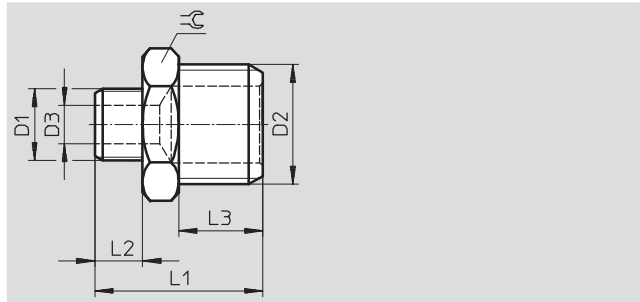
Messing vernickelt

Werkstoff-Hinweis:

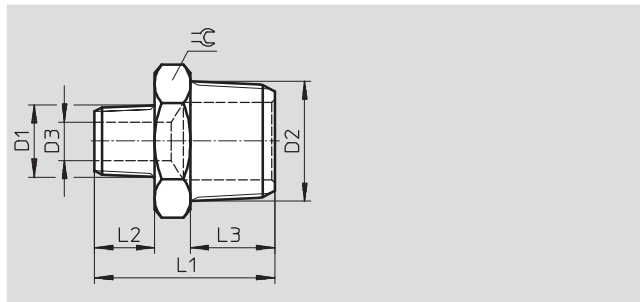
RoHS konform



G-Gewinde



R-Gewinde



| Abmessungen und Bestellangaben | | | | | | | | | | |
|--------------------------------|-----------------|------|------|------|------|----|--------------------------|-----------|------------------|------------------|
| Anschluss | | D3 | L1 | L2 | L3 | ⌀ | Gewicht/ Stück [g] | Teile-Nr. | Typ | PE ¹⁾ |
| D1 | D2 | Ø | | | | | | | | |
| M-Gewinde | | | | | | | | | | |
| M5 | M5 | 2 | 11,5 | 4 | 4 | 8 | 3 | 550036 | NPFB-D-2M5-M | 10 |
| M7 | G $\frac{1}{8}$ | 4 | 14,5 | 4 | 6 | 14 | 7 | 547799 | NPFB-D-M7-G18-M | 10 |
| G-Gewinde | | | | | | | | | | |
| G $\frac{1}{8}$ | G $\frac{1}{8}$ | 5,5 | 16,5 | 6 | 6 | 14 | 10 | 547800 | NPFB-D-2G18-M | 10 |
| | G $\frac{1}{4}$ | 5,5 | 19 | 6 | 8 | 17 | 16 | 547801 | NPFB-D-G18-G14-M | 10 |
| | G $\frac{3}{8}$ | 5,5 | 20 | 6 | 9 | 19 | 21 | 547802 | NPFB-D-G18-G38-M | 10 |
| G $\frac{1}{4}$ | G $\frac{1}{4}$ | 8 | 21 | 8 | 8 | 17 | 17 | 547803 | NPFB-D-2G14-M | 10 |
| | G $\frac{3}{8}$ | 8 | 22 | 8 | 9 | 19 | 23 | 547804 | NPFB-D-G14-G38-M | 10 |
| | G $\frac{1}{2}$ | 8 | 23,5 | 8 | 10 | 24 | 36 | 547805 | NPFB-D-G14-G12-M | 10 |
| G $\frac{3}{8}$ | G $\frac{3}{8}$ | 11 | 23 | 9 | 9 | 19 | 24 | 547806 | NPFB-D-2G38-M | 10 |
| | G $\frac{1}{2}$ | 11 | 24,5 | 9 | 10 | 24 | 37 | 547807 | NPFB-D-G38-G12-M | 10 |
| G $\frac{1}{2}$ | G $\frac{1}{2}$ | 14 | 25,5 | 10 | 10 | 24 | 38 | 547808 | NPFB-D-2G12-M | 10 |
| R-Gewinde | | | | | | | | | | |
| R $\frac{1}{8}$ | R $\frac{1}{8}$ | 5 | 20 | 8 | 8 | 12 | 11 | 547787 | NPFB-D-2R18-M | 10 |
| | R $\frac{1}{4}$ | 5 | 24 | 8 | 11 | 14 | 17 | 547788 | NPFB-D-R18-R14-M | 10 |
| | R $\frac{3}{8}$ | 5,5 | 24,5 | 8 | 11,5 | 17 | 23 | 547789 | NPFB-D-R18-R38-M | 10 |
| R $\frac{1}{4}$ | R $\frac{1}{4}$ | 8 | 27 | 11 | 11 | 14 | 21 | 547790 | NPFB-D-2R14-M | 10 |
| | R $\frac{3}{8}$ | 8 | 27,5 | 11 | 11,5 | 17 | 27 | 547791 | NPFB-D-R14-R38-M | 10 |
| | R $\frac{1}{2}$ | 8 | 30,5 | 11 | 14 | 22 | 44 | 547792 | NPFB-D-R14-R12-M | 10 |
| R $\frac{3}{8}$ | R $\frac{3}{8}$ | 11 | 28 | 11,5 | 11,5 | 17 | 30 | 547793 | NPFB-D-2R38-M | 10 |
| | R $\frac{1}{2}$ | 11 | 31 | 11,5 | 14 | 22 | 47 | 547794 | NPFB-D-R38-R12-M | 10 |
| R $\frac{1}{2}$ | R $\frac{1}{2}$ | 14 | 33,5 | 14 | 14 | 22 | 56 | 547795 | NPFB-D-2R12-M | 10 |
| | R $\frac{3}{4}$ | 14 | 37,5 | 14 | 16,5 | 27 | 84 | 547796 | NPFB-D-R12-R34-M | 10 |
| R $\frac{3}{4}$ | R $\frac{3}{4}$ | 18,5 | 40 | 16,5 | 16,5 | 27 | 97 | 547797 | NPFB-D-2R34-M | 10 |
| R1 | R1 | 24,5 | 45,5 | 19 | 19 | 34 | 158 | 547798 | NPFB-D-2R1-M | 10 |

1) Packungseinheit in Stück

Gewindeverschraubungen NPFB

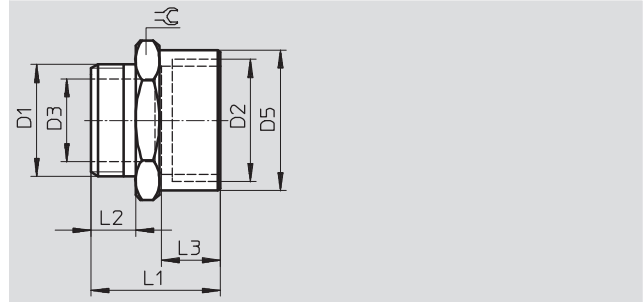
Datenblatt

Reduziernippel NPFB-R

Betriebsdruck:
-0,95 ... +40 bar
Umgebungstemperatur:
-20 ... +150 °C
Betriebsmedium:
Druckluft und Vakuum geeignet

Werkstoff:
Messing vernickelt

Werkstoff-Hinweis:
RoHS konform



| Abmessungen und Bestellangaben | | | | | | | | | | | |
|--------------------------------|------|-----|------|------|----|-----|----|--------------------------|-----------|-------------------|------------------|
| Anschluss | | D3 | D5 | L1 | L2 | L3 | ⌀ | Gewicht/ Stück [g] | Teile-Nr. | Typ | PE ¹⁾ |
| D1 | D2 | ∅ | ∅ | | | | | | | | |
| M5 | G1/8 | 2 | 13,8 | 15,5 | 4 | 6,5 | 14 | 11 | 547817 | NPFB-R-G18-M5-FM | 10 |
| G1/8 | G1/4 | 5,5 | 16,8 | 20,5 | 6 | 8 | 17 | 19 | 547818 | NPFB-R-G14-G18-FM | 10 |
| | G3/8 | 5,5 | 21,8 | 23 | 6 | 10 | 22 | 35 | 547819 | NPFB-R-G38-G18-FM | 10 |
| G1/4 | G3/8 | 8 | 21,8 | 24 | 8 | 10 | 22 | 35 | 547820 | NPFB-R-G38-G14-FM | 10 |
| G3/8 | G1/2 | 11 | 25,5 | 29,5 | 9 | 11 | 26 | 51 | 547821 | NPFB-R-G12-G38-FM | 10 |

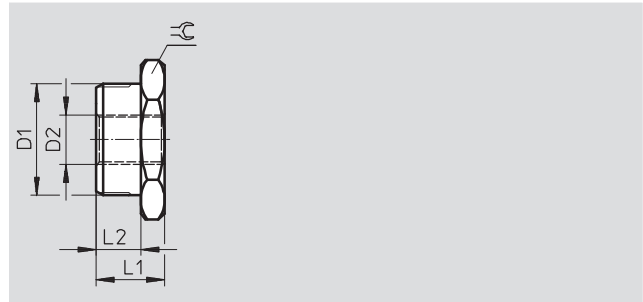
1) Packungseinheit in Stück

Reduziernippel NPFB-R

Betriebsdruck:
-0,95 ... +40 bar
Umgebungstemperatur:
-20 ... +150 °C
Betriebsmedium:
Druckluft und Vakuum geeignet

Werkstoff:
Messing vernickelt

Werkstoff-Hinweis:
RoHS konform



| Abmessungen und Bestellangaben | | | | | | | | | | | |
|--------------------------------|------|------|----|----|--------------------------|-----------|-------------------|------------------|--|--|--|
| Anschluss | | L1 | L2 | ⌀ | Gewicht/ Stück [g] | Teile-Nr. | Typ | PE ¹⁾ | | | |
| D1 | D2 | | | | | | | | | | |
| G1/8 | M5 | 10,5 | 6 | 14 | 8 | 547831 | NPFB-R-G18-M5-MF | 10 | | | |
| G1/4 | G1/8 | 13 | 8 | 17 | 13 | 547832 | NPFB-R-G14-G18-MF | 10 | | | |
| G3/8 | G1/8 | 14 | 9 | 19 | 22 | 547833 | NPFB-R-G38-G18-MF | 10 | | | |
| | G1/4 | 14 | 9 | 19 | 16 | 547834 | NPFB-R-G38-G14-MF | 10 | | | |
| G1/2 | G1/4 | 15,5 | 10 | 24 | 35 | 547835 | NPFB-R-G12-G14-MF | 10 | | | |
| | G3/8 | 15,5 | 10 | 24 | 28 | 547836 | NPFB-R-G12-G38-MF | 10 | | | |
| G3/4 | G1/2 | 18 | 12 | 27 | 44 | 547837 | NPFB-R-G34-G12-MF | 10 | | | |

1) Packungseinheit in Stück

Gewindeverschraubungen NPFB

Datenblatt

FESTO

L-Verschraubung NPFB-L

Betriebsdruck:

-0,95 ... +40 bar

Umgebungstemperatur:

-20 ... +150 °C

Betriebsmedium:

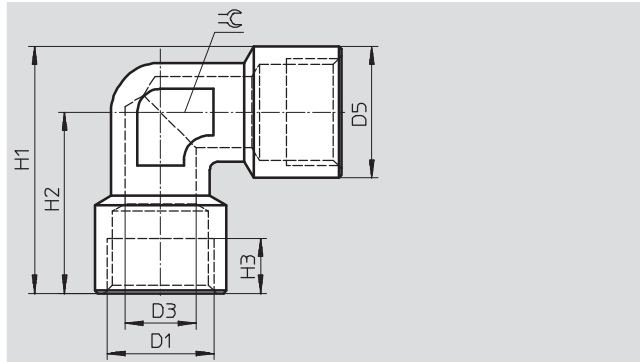
Druckluft und Vakuum geeignet

Werkstoff:

Messing vernickelt

Werkstoff-Hinweis:

RoHS konform



| Abmessungen und Bestellangaben | | | | | | | | | | |
|--------------------------------|-----|------|-------|------|------|----|--------------------------|-----------|---------------|------------------|
| Anschluss | D3 | D5 | H1 | H2 | H3 | ∅ | Gewicht/ Stück [g] | Teile-Nr. | Typ | PE ¹⁾ |
| D1 | ∅ | ∅ | | | | | | | | |
| M5 | 4,2 | 8,5 | 15,25 | 11 | 4 | 9 | 31 | 547715 | NPFB-L-2M5-F | 10 |
| G ¹ / ₈ | 6 | 13 | 26,5 | 20 | 7 | 10 | 19 | 547716 | NPFB-L-2G18-F | 10 |
| G ¹ / ₄ | 9 | 16 | 33,5 | 25,5 | 8 | 13 | 31 | 547717 | NPFB-L-2G14-F | 10 |
| G ³ / ₈ | 10 | 20,5 | 39,25 | 29 | 10 | 17 | 61 | 547718 | NPFB-L-2G38-F | 10 |
| G ¹ / ₂ | 14 | 25,5 | 47,75 | 35 | 11 | 20 | 115 | 547719 | NPFB-L-2G12-F | 10 |
| G ³ / ₄ | 19 | 32 | 52,5 | 36,5 | 16,5 | 25 | 145 | 547720 | NPFB-L-2G34-F | 10 |
| G1 | 24 | 39 | 64,5 | 45 | 19 | 30 | 245 | 547721 | NPFB-L-2G1-F | 10 |

1) Packungseinheit in Stück

L-Verschraubung NPFB-L

Betriebsdruck:

-0,95 ... +40 bar

Umgebungstemperatur:

-20 ... +150 °C

Betriebsmedium:

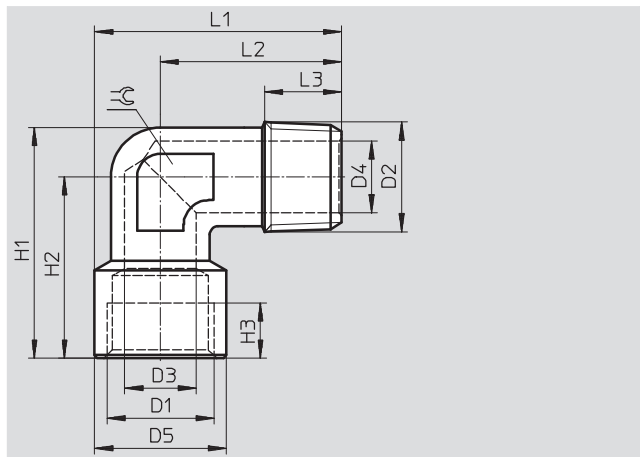
Druckluft und Vakuum geeignet

Werkstoff:

Messing vernickelt

Werkstoff-Hinweis:

RoHS konform



| Abmessungen und Bestellangaben | | | | | | | | | | | | | | | |
|--------------------------------|-------------------------------|-----|-----|------|-------|------|------|-------|------|------|--------------------------|-----------|--------|-------------------|----|
| Anschluss | D3 | D4 | D5 | L1 | L2 | L3 | H1 | H2 | H3 | ∅ | Gewicht/ Stück [g] | Teile-Nr. | Typ | PE ¹⁾ | |
| D1 | D2 | ∅ | ∅ | ∅ | | | | | | | | | | | |
| M5 | M5 | 4,2 | 2 | 7,5 | 15,25 | 11,5 | 4 | 17 | 13,5 | 4 | 9 | 6 | 547722 | NPFB-L-2M5-MF | 10 |
| G ¹ / ₈ | R ¹ / ₈ | 6 | 5,5 | 13 | 25,5 | 19 | 8 | 25 | 20 | 7 | 10 | 18 | 547723 | NPFB-L-R18-G18-MF | 10 |
| G ¹ / ₄ | R ¹ / ₄ | 9 | 8 | 16 | 32 | 24 | 12,5 | 32 | 25,5 | 8 | 13 | 32 | 547724 | NPFB-L-R14-G14-MF | 10 |
| G ³ / ₈ | R ³ / ₈ | 10 | 11 | 20,5 | 36,75 | 26,5 | 13,6 | 37,5 | 29 | 10 | 17 | 55 | 547725 | NPFB-L-R38-G38-MF | 10 |
| G ¹ / ₂ | R ¹ / ₂ | 14 | 14 | 25,5 | 44,25 | 31,5 | 15,5 | 45,5 | 35 | 11 | 20 | 99 | 547726 | NPFB-L-R12-G12-MF | 10 |
| G ³ / ₄ | R ³ / ₄ | 19 | 19 | 32 | 49 | 33 | 16 | 49,75 | 36,5 | 16,5 | 25 | 120 | 547727 | NPFB-L-R34-G34-MF | 10 |
| G1 | R1 | 24 | 24 | 39 | 58,5 | 39 | 17 | 60,5 | 45 | 19 | 30 | 212 | 547728 | NPFB-L-R1-G1-MF | 10 |

1) Packungseinheit in Stück

Gewindeverschraubungen NPFB

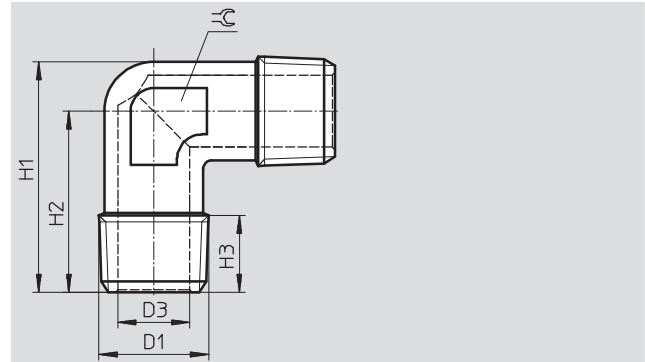
Datenblatt

L-Verschraubung NPFB-L

Betriebsdruck:
-0,95 ... +40 bar
Umgebungstemperatur:
-20 ... +150 °C
Betriebsmedium:
Druckluft und Vakuum geeignet

Werkstoff:
Messing vernickelt

Werkstoff-Hinweis:
RoHS konform



| Abmessungen und Bestellangaben | | | | | | | | | | |
|--------------------------------|-----|------|------|------|----|--------------------------|-----------|---------------|------------------|--|
| Anschluss | D3 | H1 | H2 | H3 | ∅ | Gewicht/ Stück [g] | Teile-Nr. | Typ | PE ¹⁾ | |
| D1 | ∅ | | | | | | | | | |
| M5 | 2 | 15,5 | 11,5 | 4 | 9 | 8 | 547729 | NPFB-L-2M5-M | 10 | |
| R ¹ / ₈ | 5,5 | 24 | 19 | 8 | 10 | 14 | 547730 | NPFB-L-2R18-M | 10 | |
| R ¹ / ₄ | 8 | 30,5 | 24 | 12,5 | 13 | 29 | 547731 | NPFB-L-2R14-M | 10 | |
| R ³ / ₈ | 11 | 34,8 | 26,5 | 13,6 | 17 | 45 | 547732 | NPFB-L-2R38-M | 10 | |
| R ¹ / ₂ | 14 | 42 | 31,5 | 15,5 | 20 | 83 | 547733 | NPFB-L-2R12-M | 10 | |
| R ³ / ₄ | 19 | 46 | 33 | 16 | 25 | 100 | 547734 | NPFB-L-2R34-M | 10 | |
| R1 | 24 | 54,5 | 39 | 17 | 30 | 174 | 547735 | NPFB-L-2R1-M | 10 | |

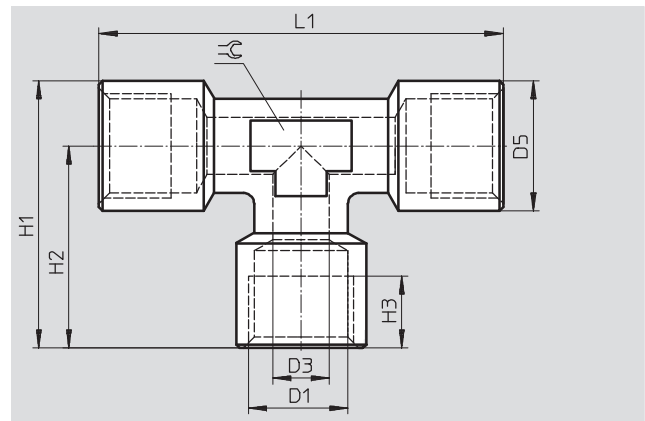
1) Packungseinheit in Stück

T-Verschraubung NPFB-T

Betriebsdruck:
-0,95 ... +40 bar
Umgebungstemperatur:
-20 ... +150 °C
Betriebsmedium:
Druckluft und Vakuum geeignet

Werkstoff:
Messing vernickelt

Werkstoff-Hinweis:
RoHS konform



| Abmessungen und Bestellangaben | | | | | | | | | | | |
|--------------------------------|-----|------|----|-------|------|------|----|--------------------------|-----------|---------------|------------------|
| Anschluss | D3 | D5 | L1 | H1 | H2 | H3 | ∅ | Gewicht/ Stück [g] | Teile-Nr. | Typ | PE ¹⁾ |
| D1 | ∅ | ∅ | | | | | | | | | |
| M5 | 4,2 | 8,5 | 22 | 15,25 | 11 | 5 | 9 | 10 | 547744 | NPFB-T-3M5-F | 10 |
| G ¹ / ₈ | 6 | 13 | 40 | 26,5 | 20 | 7 | 10 | 27 | 547745 | NPFB-T-3G18-F | 10 |
| G ¹ / ₄ | 9 | 16 | 51 | 33,5 | 25,5 | 8 | 13 | 44 | 547746 | NPFB-T-3G14-F | 10 |
| G ³ / ₈ | 10 | 21 | 58 | 39,5 | 29 | 10 | 17 | 85 | 547747 | NPFB-T-3G38-F | 10 |
| G ¹ / ₂ | 15 | 26,2 | 70 | 48,1 | 35 | 11 | 20 | 151 | 547748 | NPFB-T-3G12-F | 10 |
| G ³ / ₄ | 19 | 32 | 73 | 52,5 | 36,5 | 16,5 | 25 | 194 | 547749 | NPFB-T-3G34-F | 10 |
| G1 | 24 | 39 | 90 | 64,5 | 45 | 19 | 30 | 326 | 547750 | NPFB-T-3G1-F | 10 |

1) Packungseinheit in Stück

Gewindeverschraubungen NPFB

Datenblatt

FESTO

T-Verschraubung NPFB-T

Betriebsdruck:

-0,95 ... +40 bar

Umgebungstemperatur:

-20 ... +150 °C

Betriebsmedium:

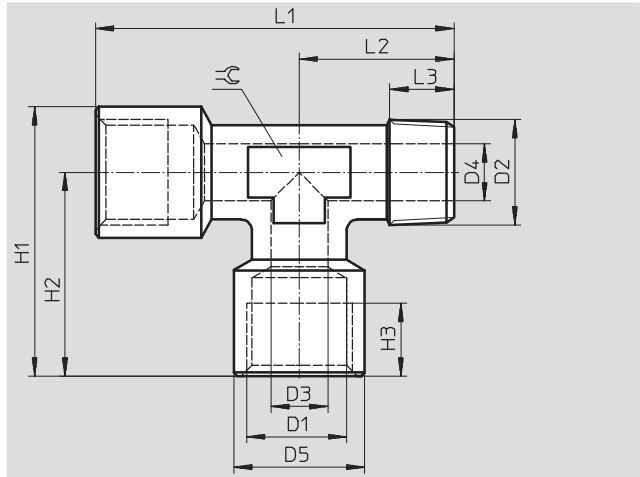
Druckluft und Vakuum geeignet

Werkstoff:

Messing vernickelt

Werkstoff-Hinweis:

RoHS konform



Abmessungen und Bestellangaben

| Anschluss | | D3 | D4 | D5 | L1 | L2 | L3 | H1 | H2 | H3 | ≈ | Gewicht/ Stück [g] | Teile-Nr. | Typ | PE ¹⁾ |
|-------------------------------|-------------------------------|-----|-----|------|------|------|------|-------|------|------|----|--------------------------|-----------|---------------------|------------------|
| D1 | D2 | ∅ | ∅ | ∅ | | | | | | | | | | | |
| M5 | M5 | 4,2 | 2 | 8,5 | 22,5 | 12 | 4 | 15,25 | 11 | 5 | 9 | 8 | 547758 | NPFB-T-3M5-FMF | 10 |
| G ¹ / ₈ | R ¹ / ₈ | 6 | 5,5 | 13 | 39 | 19 | 8 | 26,5 | 20 | 7 | 10 | 26 | 547759 | NPFB-T-2G18-R18-FMF | 10 |
| G ¹ / ₄ | R ¹ / ₄ | 9 | 8 | 16 | 49,5 | 24 | 11 | 33,5 | 25,5 | 8 | 13 | 46 | 547760 | NPFB-T-2G14-R14-FMF | 10 |
| G ³ / ₈ | R ³ / ₈ | 10 | 11 | 20,5 | 55,5 | 26,5 | 13,6 | 39,25 | 29 | 10 | 17 | 82 | 547761 | NPFB-T-2G38-R38-FMF | 10 |
| G ¹ / ₂ | R ¹ / ₂ | 15 | 15 | 25,5 | 66,5 | 31,5 | 15,5 | 47,75 | 35 | 11 | 20 | 133 | 547762 | NPFB-T-2G12-R12-FMF | 10 |
| G ³ / ₄ | R ³ / ₄ | 19 | 19 | 32 | 69,5 | 33 | 16 | 52,5 | 36,5 | 16,5 | 25 | 172 | 547763 | NPFB-T-2G34-R34-FMF | 10 |
| G1 | R1 | 24 | 24 | 39 | 84 | 39 | 17,5 | 64,5 | 45 | 19 | 30 | 298 | 547764 | NPFB-T-2G1-R1-FMF | 10 |

1) Packungseinheit in Stück

T-Verschraubung NPFB-T

Betriebsdruck:

-0,95 ... +40 bar

Umgebungstemperatur:

-20 ... +150 °C

Betriebsmedium:

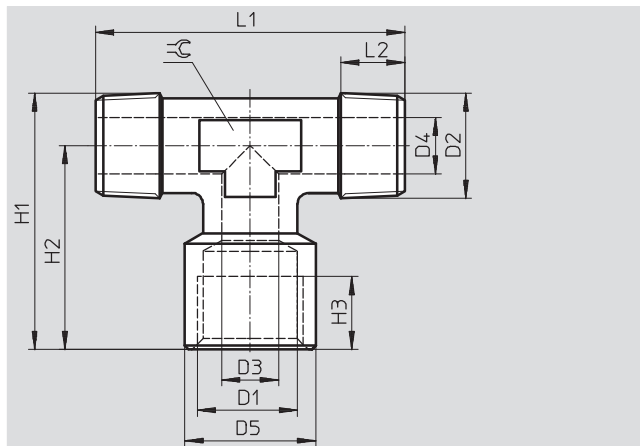
Druckluft und Vakuum geeignet

Werkstoff:

Messing vernickelt

Werkstoff-Hinweis:

RoHS konform



Abmessungen und Bestellangaben

| Anschluss | | D3 | D4 | D5 | L1 | L2 | H1 | H2 | H3 | ≈ | Gewicht/ Stück [g] | Teile-Nr. | Typ | PE ¹⁾ |
|-------------------------------|-------------------------------|-----|----|------|----|------|------|------|----|----|--------------------------|-----------|---------------------|------------------|
| D1 | D2 | ∅ | ∅ | ∅ | | | | | | | | | | |
| G ¹ / ₈ | R ¹ / ₈ | 5,5 | 6 | 13 | 38 | 8 | 24,9 | 20 | 7 | 10 | 23 | 547771 | NPFB-T-G18-2R18-FMM | 10 |
| G ¹ / ₄ | R ¹ / ₄ | 8 | 9 | 16 | 48 | 12,5 | 32 | 25,5 | 8 | 13 | 43 | 547772 | NPFB-T-G14-2R14-FMM | 10 |
| G ³ / ₈ | R ³ / ₈ | 11 | 10 | 20,5 | 53 | 13,6 | 37,5 | 29 | 10 | 17 | 72 | 547773 | NPFB-T-G38-2R38-FMM | 10 |
| G ¹ / ₂ | R ¹ / ₂ | 15 | 15 | 25,5 | 63 | 15,5 | 45,7 | 35 | 11 | 20 | 118 | 547774 | NPFB-T-G12-2R12-FMM | 10 |

1) Packungseinheit in Stück

Gewindeverschraubungen NPFB

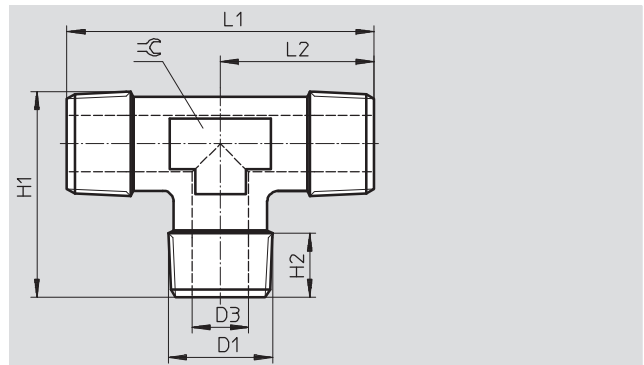
Datenblatt

T-Verschraubung NPFB-T

Betriebsdruck:
-0,95 ... +40 bar
Umgebungstemperatur:
-20 ... +150 °C
Betriebsmedium:
Druckluft und Vakuum geeignet

Werkstoff:
Messing vernickelt

Werkstoff-Hinweis:
RoHS konform



| Abmessungen und Bestellangaben | | | | | | | | | | |
|--------------------------------|-----|------|------|------|------|----|--------------------------|-----------|---------------|------------------|
| Anschluss | D3 | L1 | L2 | H1 | H2 | ⌀ | Gewicht/ Stück [g] | Teile-Nr. | Typ | PE ¹⁾ |
| D1 | Ø | | | | | | | | | |
| R ¹ / ₈ | 5,5 | 38 | 19 | 23,9 | 8 | 10 | 20 | 547765 | NPFB-T-3R18-M | 10 |
| R ¹ / ₄ | 8 | 48 | 24 | 30,6 | 12,5 | 13 | 41 | 547766 | NPFB-T-3R14-M | 10 |
| R ³ / ₈ | 11 | 53 | 26,5 | 34,8 | 13,6 | 17 | 62 | 547767 | NPFB-T-3R38-M | 10 |
| R ¹ / ₂ | 15 | 63 | 31,5 | 42,2 | 15,5 | 20 | 101 | 547768 | NPFB-T-3R12-M | 10 |
| R ³ / ₄ | 19 | 66,4 | 33,2 | 45 | 16,2 | 25 | 134 | 547769 | NPFB-T-3R34-M | 10 |
| R1 | 24 | 78 | 39 | 54,2 | 17,5 | 30 | 236 | 547770 | NPFB-T-3R1-M | 10 |

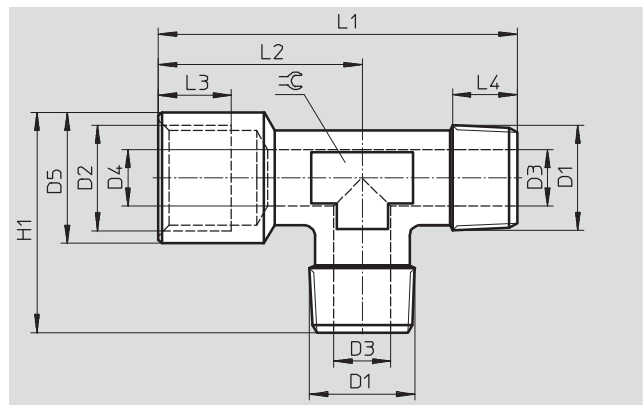
1) Packungseinheit in Stück

T-Verschraubung NPFB-T

Betriebsdruck:
-0,95 ... +40 bar
Umgebungstemperatur:
-20 ... +150 °C
Betriebsmedium:
Druckluft und Vakuum geeignet

Werkstoff:
Messing vernickelt

Werkstoff-Hinweis:
RoHS konform



| Abmessungen und Bestellangaben | | | | | | | | | | | | | | |
|--------------------------------|-------------------------------|----|-----|------|------|------|----|------|-------|--------------------------|-----------|--------|---------------------|----|
| Anschluss | D3 | D4 | D5 | L1 | L2 | L3 | L4 | H1 | ⌀ | Gewicht/ Stück [g] | Teile-Nr. | Typ | PE ¹⁾ | |
| D1 | D2 | Ø | Ø | Ø | | | | | | | | | | |
| R ¹ / ₈ | G ¹ / ₈ | 6 | 5,5 | 13 | 39 | 20 | 7 | 8 | 25,5 | 10 | 24 | 547775 | NPFB-T-2R18-G18-MMF | 10 |
| R ¹ / ₄ | G ¹ / ₄ | 9 | 8 | 16 | 49,5 | 25,5 | 8 | 12,5 | 32 | 13 | 43 | 547776 | NPFB-T-2R14-G14-MMF | 10 |
| R ³ / ₈ | G ³ / ₈ | 10 | 11 | 20,5 | 55,5 | 29 | 10 | 13,6 | 36,75 | 17 | 72 | 547777 | NPFB-T-2R38-G38-MMF | 10 |
| R ¹ / ₂ | G ¹ / ₂ | 15 | 15 | 25,5 | 66,5 | 35 | 11 | 15,5 | 44,25 | 20 | 117 | 547778 | NPFB-T-2R12-G12-MMF | 10 |

1) Packungseinheit in Stück

Gewindeverschraubungen NPFB

Datenblatt

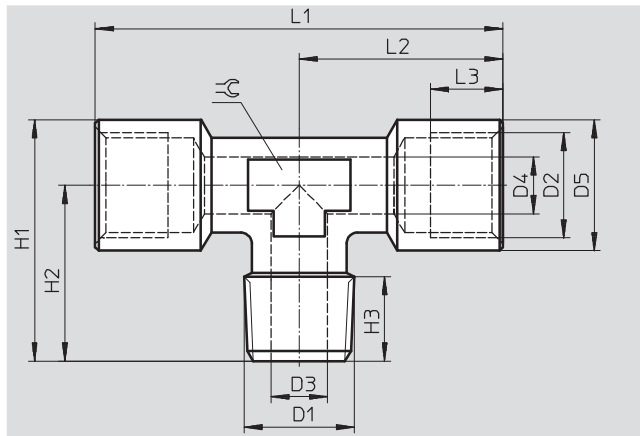
FESTO

T-Verschraubung NPFB-T

Betriebsdruck:
-0,95 ... +40 bar
Umgebungstemperatur:
-20 ... +150 °C
Betriebsmedium:
Druckluft und Vakuum geeignet

Werkstoff:
Messing vernickelt

Werkstoff-Hinweis:
RoHS konform



| Abmessungen und Bestellangaben | | | | | | | | | | | | | | | |
|--------------------------------|-------------------------------|-----|-----|------|----|------|------|-------|------|------|----|--------------------------|-----------|---------------------|------------------|
| Anschluss | | D3 | D4 | D5 | L1 | L2 | L3 | H1 | H2 | H3 | ⌀ | Gewicht/ Stück [g] | Teile-Nr. | Typ | PE ¹⁾ |
| D1 | D2 | ∅ | ∅ | ∅ | | | | | | | | | | | |
| M5 | M5 | 2 | 4,2 | 8,5 | 22 | 11 | 5 | 15,75 | 11,5 | 4 | 9 | 8 | 547751 | NPFB-T-3M5-MFF | 10 |
| R ¹ / ₈ | G ¹ / ₈ | 5,5 | 6 | 13 | 40 | 20 | 7 | 25,5 | 19 | 8 | 10 | 26 | 547752 | NPFB-T-R18-2G18-MFF | 10 |
| R ¹ / ₄ | G ¹ / ₄ | 8 | 9 | 16 | 51 | 25,5 | 8 | 32 | 24 | 12,5 | 13 | 46 | 547753 | NPFB-T-R14-2G14-MFF | 10 |
| R ³ / ₈ | G ³ / ₈ | 11 | 10 | 20,5 | 58 | 29 | 10 | 36,75 | 26,5 | 13,6 | 17 | 83 | 547754 | NPFB-T-R38-2G38-MFF | 10 |
| R ¹ / ₂ | G ¹ / ₂ | 15 | 15 | 25,5 | 70 | 35 | 11 | 44,25 | 31,5 | 15,5 | 20 | 130 | 547755 | NPFB-T-R12-2G12-MFF | 10 |
| R ³ / ₄ | G ³ / ₄ | 19 | 19 | 32 | 73 | 36,5 | 16,5 | 49 | 33 | 16 | 25 | 178 | 547756 | NPFB-T-R34-2G34-MFF | 10 |
| R1 | G1 | 24 | 24 | 39 | 90 | 45 | 19 | 58,5 | 39 | 17,5 | 30 | 296 | 547757 | NPFB-T-R1-2G1-MFF | 10 |

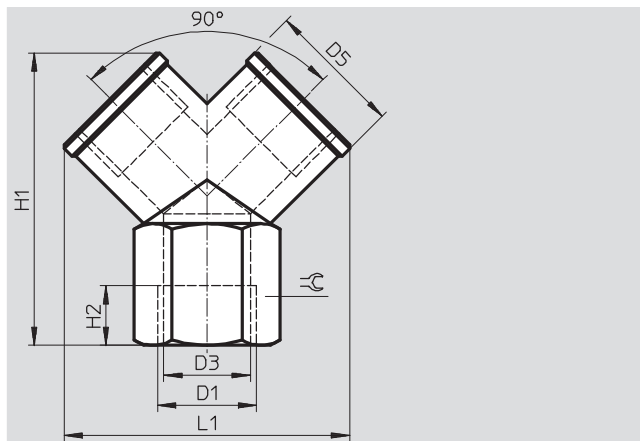
1) Packungseinheit in Stück

Y-Verschraubung NPFB-Y

Betriebsdruck:
-0,95 ... +40 bar
Umgebungstemperatur:
-20 ... +150 °C
Betriebsmedium:
Druckluft und Vakuum geeignet

Werkstoff:
Messing vernickelt

Werkstoff-Hinweis:
RoHS konform



| Abmessungen und Bestellangaben | | | | | | | | | | | |
|--------------------------------|--|------|----|------|------|------|----|--------------------------|-----------|---------------|------------------|
| Anschluss | | D3 | D5 | L1 | H1 | H2 | ⌀ | Gewicht/ Stück [g] | Teile-Nr. | Typ | PE ¹⁾ |
| D1 | | ∅ | ∅ | | | | | | | | |
| G ¹ / ₈ | | 8,7 | 13 | 29 | 26,5 | 8 | 13 | 18 | 547736 | NPFB-Y-3G18-F | 10 |
| G ¹ / ₄ | | 11,6 | 17 | 36 | 32 | 11 | 17 | 32 | 547737 | NPFB-Y-3G14-F | 10 |
| G ³ / ₈ | | 15 | 21 | 41 | 37 | 11,5 | 20 | 44 | 547738 | NPFB-Y-3G38-F | 10 |
| G ¹ / ₂ | | 19 | 26 | 52,5 | 45 | 14 | 25 | 92 | 547739 | NPFB-Y-3G12-F | 10 |

1) Packungseinheit in Stück

Gewindeverschraubungen NPFB

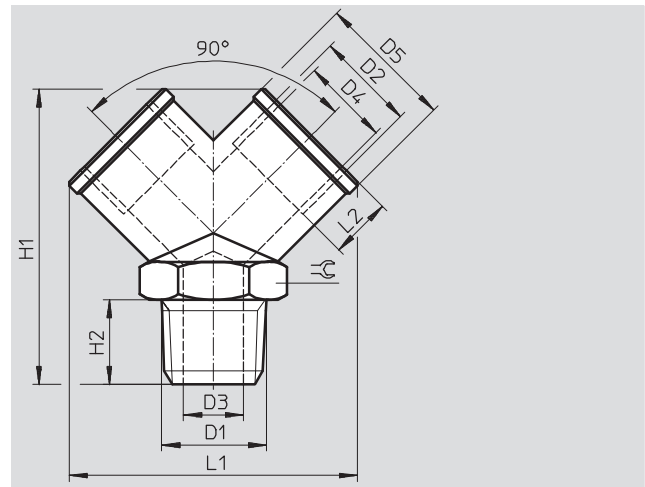
Datenblatt

Y-Verschraubung NPFB-Y

Betriebsdruck:
-0,95 ... +40 bar
Umgebungstemperatur:
-20 ... +150 °C
Betriebsmedium:
Druckluft und Vakuum geeignet

Werkstoff:
Messing vernickelt

Werkstoff-Hinweis:
RoHS konform



| Abmessungen und Bestellangaben | | | | | | | | | | | | | |
|--------------------------------|-------------------------------|-----|------|----|------|------|------|------|----|--------------------------|-----------|---------------------|------------------|
| Anschluss | | D3 | D4 | D5 | L1 | L2 | H1 | H2 | ≈C | Gewicht/ Stück [g] | Teile-Nr. | Typ | PE ¹⁾ |
| D1 | D2 | ∅ | ∅ | ∅ | | | | | | | | | |
| R ¹ / ₈ | G ¹ / ₈ | 5,5 | 8,7 | 13 | 29 | 8 | 32 | 8 | 13 | 22 | 547740 | NPFB-Y-R18-2G18-MFF | 10 |
| R ¹ / ₄ | G ¹ / ₄ | 8 | 11,6 | 17 | 36 | 11 | 38 | 11 | 17 | 38 | 547741 | NPFB-Y-R14-2G14-MFF | 10 |
| R ³ / ₈ | G ³ / ₈ | 11 | 15 | 21 | 41 | 11,5 | 42,5 | 11,5 | 20 | 52 | 547742 | NPFB-Y-R38-2G38-MFF | 10 |
| R ¹ / ₂ | G ¹ / ₂ | 15 | 19 | 26 | 52,5 | 14 | 53 | 14 | 25 | 110 | 547743 | NPFB-Y-R12-2G12-MFF | 10 |

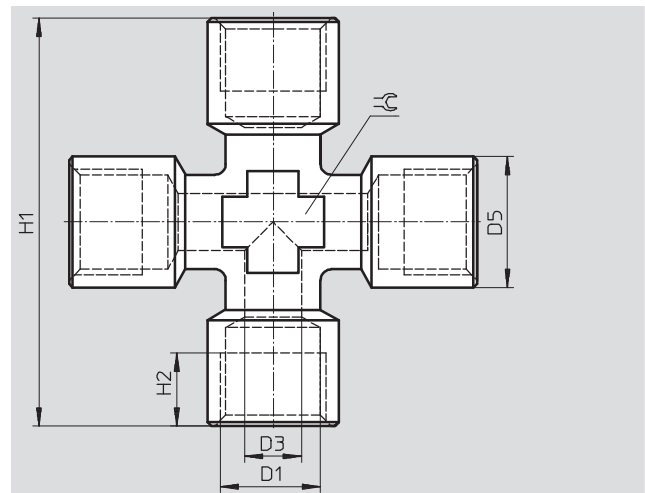
1) Packungseinheit in Stück

X-Verschraubung NPFB-X

Betriebsdruck:
-0,95 ... +40 bar
Umgebungstemperatur:
-20 ... +150 °C
Betriebsmedium:
Druckluft und Vakuum geeignet

Werkstoff:
Messing vernickelt

Werkstoff-Hinweis:
RoHS konform



| Abmessungen und Bestellangaben | | | | | | | | | | |
|--------------------------------|--|----|------|----|----|----|--------------------------|-----------|---------------|------------------|
| Anschluss | | D3 | D5 | H1 | H2 | ≈C | Gewicht/ Stück [g] | Teile-Nr. | Typ | PE ¹⁾ |
| D1 | | ∅ | ∅ | | | | | | | |
| G ¹ / ₈ | | 6 | 13 | 46 | 7 | 13 | 60 | 547779 | NPFB-X-4G18-F | 10 |
| G ¹ / ₄ | | 9 | 17 | 51 | 8 | 13 | 73 | 547780 | NPFB-X-4G14-F | 10 |
| G ³ / ₈ | | 10 | 20,5 | 58 | 10 | 17 | 118 | 547781 | NPFB-X-4G38-F | 10 |
| G ¹ / ₂ | | 15 | 26,2 | 67 | 14 | 21 | 186 | 547782 | NPFB-X-4G12-F | 10 |

1) Packungseinheit in Stück

Gewindeverschraubungen NPFB

Datenblatt

FESTO

X-Verschraubung NPFB-X

Betriebsdruck:

-0,95 ... +40 bar

Umgebungstemperatur:

-20 ... +150 °C

Betriebsmedium:

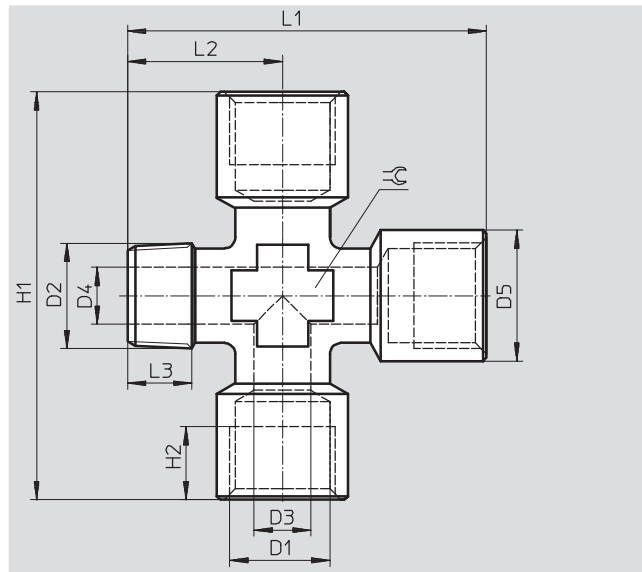
Druckluft und Vakuum geeignet

Werkstoff:

Messing vernickelt

Werkstoff-Hinweis:

RoHS konform



| Abmessungen und Bestellangaben | | | | | | | | | | | | | | |
|--------------------------------|-------------------------------|----|----|------|------|------|------|----|----|-----------------|--------------------------|-----------|----------------------|------------------|
| Anschluss | | D3 | D4 | D5 | L1 | L2 | L3 | H1 | H2 | ≈ \varnothing | Gewicht/ Stück [g] | Teile-Nr. | Typ | PE ¹⁾ |
| D1 | D2 | ∅ | ∅ | ∅ | | | | | | | | | | |
| G ¹ / ₈ | R ¹ / ₈ | 6 | 6 | 13 | 46 | 23 | 8 | 46 | 7 | 13 | 52 | 547783 | NPFB-X-R18-3G18-MFFF | 10 |
| G ¹ / ₄ | R ¹ / ₄ | 9 | 8 | 17 | 49,5 | 24 | 12,5 | 51 | 8 | 13 | 67 | 547784 | NPFB-X-R14-3G14-MFFF | 10 |
| G ³ / ₈ | R ³ / ₈ | 10 | 11 | 20,5 | 55,5 | 26,5 | 13,6 | 58 | 10 | 17 | 100 | 547785 | NPFB-X-R38-3G38-MFFF | 10 |
| G ¹ / ₂ | R ¹ / ₂ | 15 | 15 | 26,2 | 64,5 | 31 | 14,0 | 67 | 14 | 21 | 168 | 547786 | NPFB-X-R12-3G12-MFFF | 10 |

1) Packungseinheit in Stück